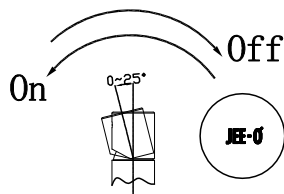
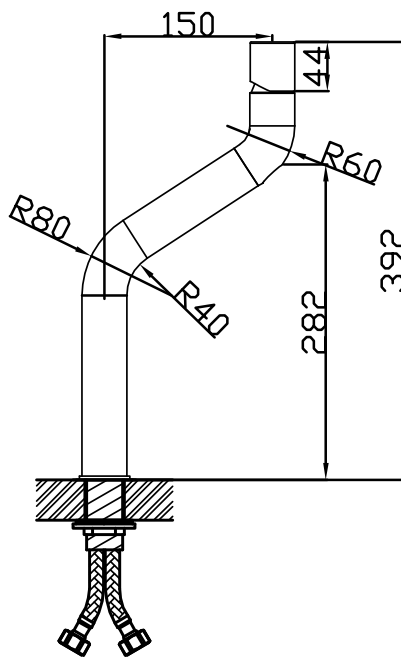
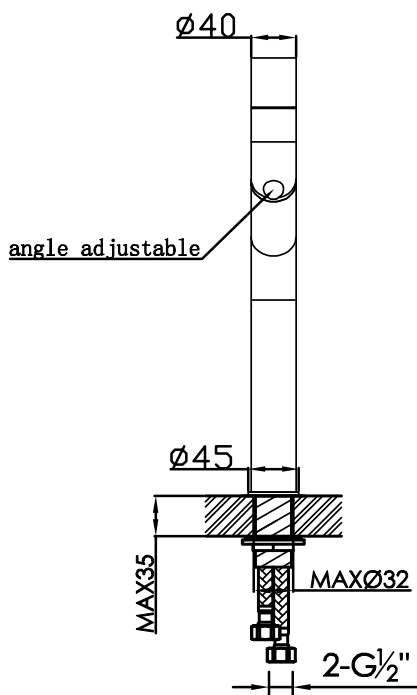




JEE-O flow basin mixer high specifications



Article code:	500-1750 ● brushed stainless steel	Connection:	2 x G 1/2" (ø15mm / 0.6") nylon ^(out) /epdm ⁽ⁱⁿ⁾ flexhose with brass swivel British Standard Pipe (BSP)
Material:	Stainless Steel r304	Thread:	
Cartridge:	Sedal ceramic mixing mechanism (35mm), item code 005-0101	Dimension package:	L 55 x W 34 x H 11 cm
Cleaning:	JEE-O protect	Total weight:	2.24 kg
Flow at water of 38°C:	7L p/m at 3bar pressure	Package weight:	0.63 kg
		2 year warranty	
		HS code: 84818011900	