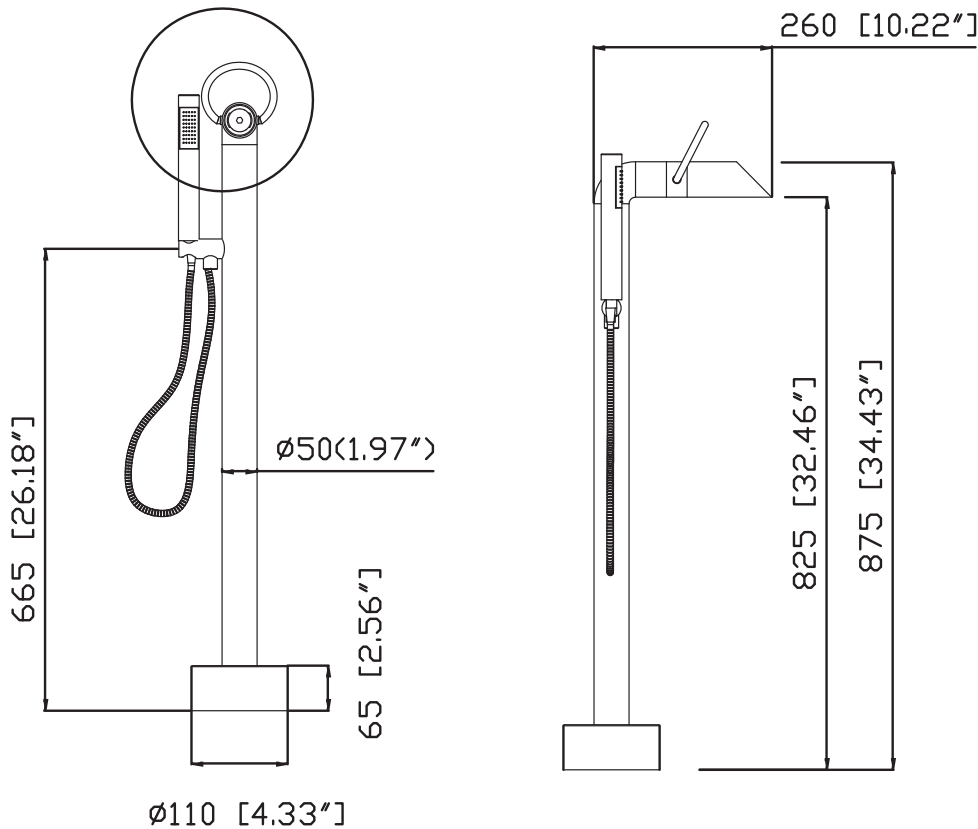
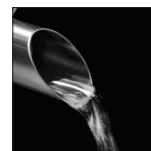
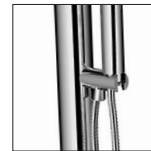
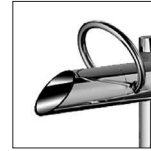


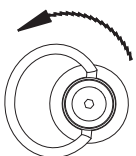


JEE-O pure bath

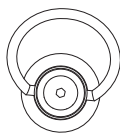


Article code:
 400-2300 (pure-bath-brushed)
 400-2380 (pure-bath-polished)
 Cartridge: Cedal / progressive
 Material: Stainless Steel r304
 Connection: nylon^(out)/epdm⁽ⁱⁿ⁾
 flexhose with brass swivel
 Length of flexhose 150 cm
 Flow at water of 38°C /100.4°F
 9l /2.4gal p/m at 3bar pressure
 Dimension package:
 L 137 x W 47 x H 19 cm
 L 53.9 x W 18.5 x H 7,5"
 Weight: 8 kg / 17,6lbs
 Package weight: 1,5kg /3.30lbs
 Placing on a water-tight floor
 2 year warranty
 HS code: 84818011900

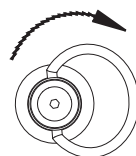
HAND SHOWER
OPERATION



STOP

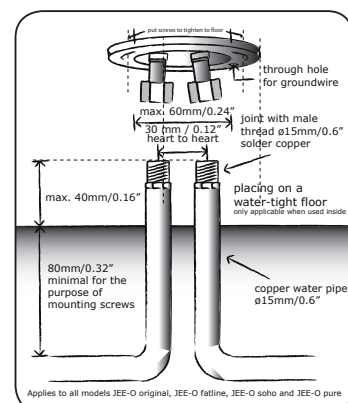


BATH SPOUT
OPERATION



Note: UV radiation and extreme temperature can affect the color and structure of the JEE-O pure surface.

www.jee-o.com



Applies to all models JEE-O original, JEE-O fatline, JEE-O soho and JEE-O pure